



Thai Technic Electric Co.,Ltd.

280/7-8 Moo 18 Suksawad Rd., Bangpueng, Phrapradeang, Samutprakarn 10130

Company Profile



About Us

Who we are

Thai Technic Electric Co.,Ltd is incorporated in 1990 . manufacturing and installation of electrical switch boards for industrial and commercial applications , along with distribution of electrical components , TTE today has grown and established themselves as a leading electrical solution provider to industrial and commercial establishments .

Activities.

Our Activities include Design, Manufacturing and Installation of Main Distribution Panels
Energy Management Systems.
Power Quality Solutions.
Motor Control Centres.
Plant Automation & Control.

Our Partners.

During the 16 years of Business activity we have tied up with Global Corporates like GE, Rockwell Automation, Fuji Electric, Conzerv, Rittal etc. Association with these global giants combined with our rich experience in Thailand market helped Thai Technic to grow exponentially and professionally.

Our Advantage.

Rich experience in the Industry.
Turnkey solutions across Industry.
Efficient and Energetic Workforce.

Our Vision:

To be the No 1 Electrical Solution Provider in Customer Mind.

Our Mission :

To help our customers with our effective electrical solutions and to build a company of highly efficient professionals.



Company Address:

Front Office: 280/7-8 Moo 18 Suksawad Rd., Bangpueng, Phrapradeang, Samutprakarn 10130

Phone: +66(0)2817-0572 ~6

Fax: +66(0)2817-0577

Factory Office: 117/9 Moo 6 Soi Suksawad 78, Bangchak, Phrapradeang, Samutprakarn 10130

Phone: +66(0)2817-7501 ~ 5

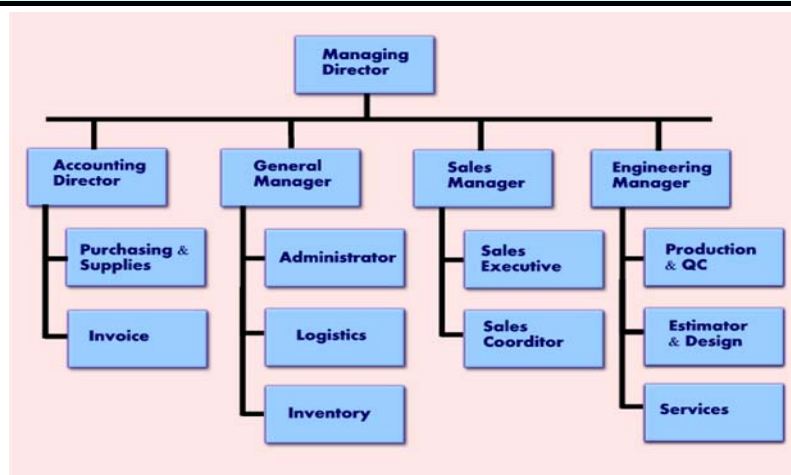
Fax: +66(0)2817-7506

Capital Register: 10 Million Baht

Certified Standard: ISO9001:2000



Company Organization Chart



Our Products & Services



Products Description:

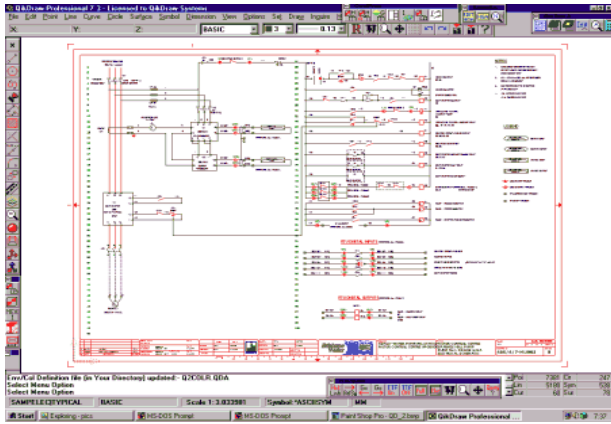
Manufactures & designs electrical panels
wholesales electrical supplies ; our experienced team is supplying the quality products, practical solutions and customized services our customers need to complete projects on-time and budget.

Engineering and Design Services

documentation for all projects, CAD drawings for in-house design projects and design of switchboards according to customer's requirements.

Documents:

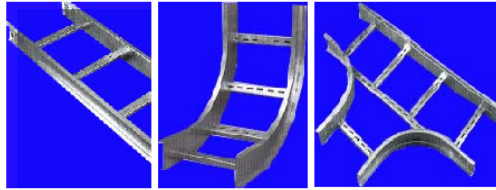
- CAD engineering for schematics, wiring plans, panel layout.
- Software development for PLC & HMI Ladder Logic Programming, state and sequential Allen Bradley PLC5, SLC500, MicroLogix, AB



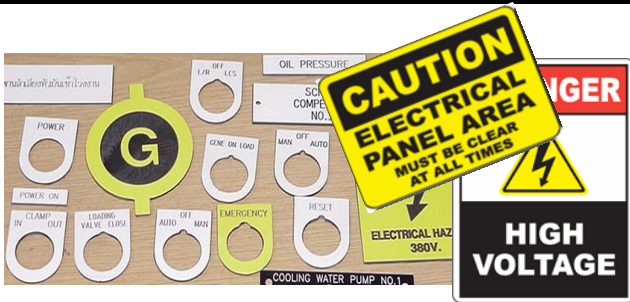
Manufacturing Services



- High Quality Sheet Steel Fabrication Service
- Cable Ladder, Wire Way & Junction Box
- Standard Enclosure, Control Desk
- Processing of the copper busbars
- Mounting & Wiring of the switchboards and control panels



Name Plate Engraving & Sign Making Services



- Engraving Service
- All name plates and letter tags done by computerized engraving machines which are capable of engraving many types of material. This enables us to engrave company logos, schematics, and general arrangements per customer specifications.
- Vinyl Cutter Sign making service
- TTE provide sign labels on panels or made to order versions for customers.
- Large Media Printer for Electric Diagram & Panel Layout (Paper size A0, A1, A2, A3)

Testing Instruments & Machine tools

- CNC Hydraulic Busbar Bending Machine capacity support to copper bus W=6" t=1/2"
- Hydraulic Copper Busbar Punching Machine
- Hipot Tester 3kV ac , 6kV DC and 100kV ac
- Insulation tester 500/1000/2000V
- Low Resistance Tester for main busbar connection



Installation & Maintenance Services

The installation team is fully capable of providing installation services as well as managing the third party installation contracts. Even the needs are discrete manufacturing or processing control; TTE is capable of handling the customer requirements.

